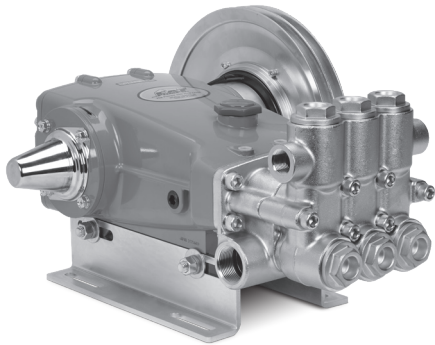


DATA SHEET

INDUSTRIAL CLUTCH



Model: 30655 Use With Pump Models: 2520, 2510, 2511, 2530*, 2530E*, 2531*, 2537*, 2560*, 2565*, 2831*



Pump Model 2510 shown
(Pump and mounting rails sold separately)

FEATURES

- Special e-coating creates an excellent corrosion-resistant finish.
- Bearings use an advanced lubricant that maintains a consistent viscosity at high temperatures and resists water in harsh environments.
- Projection welded coil and plate provide extra strength and stability in heavy vibration applications.
- High-strength forged rotor, hub and armature ensure maximum torque and long life.

SELECTION

Select a clutch from the list on the top of page one that is available for your pump model. Then, choose a clutch model that matches the number of grooves required for the drive package. The specified drive package should also consider the clutch's diameter and maximum torque rating.

INSTALLATION

1. Remove the four bearing cover screws on pump and discard.
2. Using spacer as an alignment tool, slide large diameter end of spacer first over shaft of pump. Install clutch plate over spacer until flush against crankcase. Ensure countersunk holes of clutch plate line up with bearing cover screw holes. Secure with four countersunk head screws (M10) and lockwashers (M10) and torque per specifications.

Note: Do not use pump bearing cover screws.

3. Remove spacer from crankshaft. Reverse the position of the spacer so that small diameter end now faces the pump.
4. Mount the coil assembly onto the clutch plate and secure with three flanged screws and torque evenly per specifications.
5. Lubricate the pump shaft with anti-seize lubricant.
6. Place clutch assembly on work surface with visible bearing facing up.
7. Position pulley on clutch assembly with concave side up. On dual grooves, place second pulley with concave side down.

SPECIFICATIONS

	U.S.	Metric
Pump Frame	25 Frame	25 Frame
Pulley Grooves	2	2
Shaft Diameter	1.181"	30 mm
Pitch Diameter	12.4"	315 mm
Belt Type	B	B
Torque	100 ft-lbs.	135 Nm
Watts	50	50
Amps	4.2	4.2
Voltage Required	12V DC	12V DC
Weight	22 lbs	9.9 kg
Dimensions	2.45 x 12.75"	62 x 324 mm

* Maximum rated pump performance exceeds clutch rating of 100 ft-lbs. Ensure your application does not exceed 100 ft-lbs.

$$\text{Torque (ft-lbs)} = 3.6 \times \frac{\text{gpm} \times \text{psi}}{\text{rpm}}$$

8. Line up the six pulley holes with six clutch assembly holes. Secure with six socket head cap screws and torque per specifications.
9. Slide the Clutch/Pulley assembly over shaft. Be certain keyway of pump is aligned with armature keyway and insert the key into the pump shaft. Secure with flat washer and shaft screw (M10 x 25) and torque per specifications.
10. Connect the lead wire to the positive side of the electrical control circuit. Also, be certain there is an adequate grounded connection to the coil assembly plate.
11. Engage and disengage the clutch to ensure proper function. If full load is required initially from the pump, allow clutch to engage 20–50 cycles before commencing normal operation for adequate burnishing.

Note: Follow standard belt mounting and center distance procedures to determine drive pulley size, speed and horsepower per belt.

OPERATION

The clutch works with a flow switch, pressure switch or a manual on/off switch installed in the system and connected to a 12V DC power supply to supply an electrical control circuit to the clutch. During operation, the control circuit engages the clutch, which turns the pump shaft. When the trigger gun is released, or the operator manually turns the system off, the control circuit breaks, disengaging the clutch and stopping the pump's shaft.

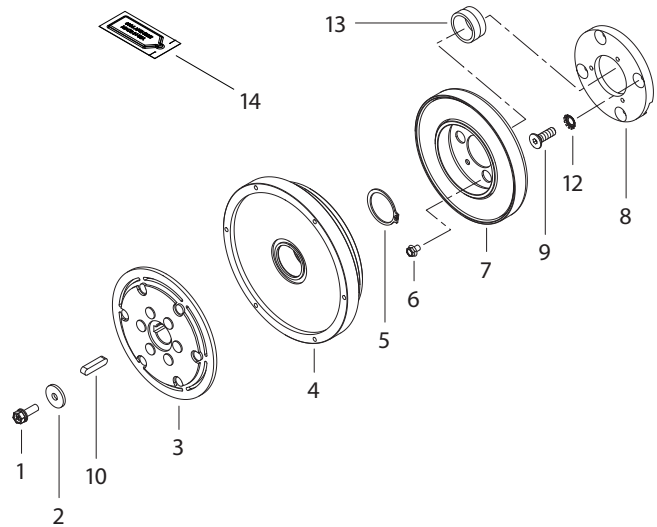
PARTS LIST

ITEM	MATL	DESCRIPTION	QTY
1	STZP	Screw, Shaft, HH	1
2	STZP	Washer, Flat (M10)	1
3	—	Armature	1
4	—	Rotor	1
5	—	Ring, Snap	1
6	STZP	Screw, Flanged Coil Assembly	3
7	—	Assembly, Coil	1
8	AL	Plate, Clutch	1
9	S	Screw, FH (M8 x 40)	4
10	STL	Key (M8 x 6.35 x 40)	1
11	STZP	Pulley, "B" (12.4") (Not Shown)	2
12	S	Lockwasher	4
13	AL	Spacer	1
14	6106	Lubricant, Anti-Seize (2 ml)	1

Material Codes (Not Part of Part No.):

AL=Aluminum S=304SS STL=Steel STZP=Steel/Zinc Plated

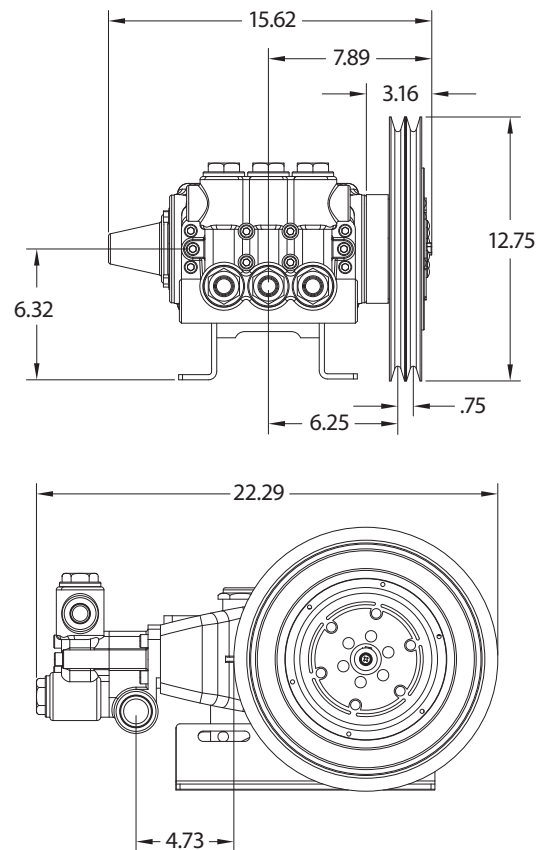
EXPLODED VIEW



TORQUE REQUIREMENTS

Item	Thread Size	Tool Size	in-lbs	Torque ft-lbs	Nm
Plate Screws	M8	M5 Allen	115	9.6	13.0
Coil Assembly Screws	1/4"	3/8" Hex	55	4.6	6.2
Shaft Screw	M10	M17 Hex	220	18.0	24.0
Hub/Pulley Screws	1/4"	3/16" Allen	55	4.6	6.2

DIMENSIONAL



TROUBLESHOOTING

Clutch will not engage	<ul style="list-style-type: none"> • Check positive and ground connections • Check for 12V DC
Squealing belt(s)	<ul style="list-style-type: none"> • Check belt slippage or belt tension
Short belt life	<ul style="list-style-type: none"> • Check side-to-side alignment and belt tension
Excessive noise when clutch is disengaged	<ul style="list-style-type: none"> • Worn bearing, replace clutch assembly
Clutch cycling	<ul style="list-style-type: none"> • Check for adequate voltage • Worn rotor or discolored rotor surface, replace clutch assembly
Scraping noise when clutch engaged and/or disengaged	<ul style="list-style-type: none"> • Check alignment of coil and rotor assembly

⚠ CAUTIONS AND WARNINGS

All high-pressure systems require a primary pressure regulating device (e.g. regulator, unloader) and a secondary pressure relief device (e.g. pop-off valve, relief valve). Failure to install such relief devices could result in personal injury or damage to pump or property. Cat Pumps does not assume any liability or responsibility for the operation of a customer's high-pressure system.

Read all CAUTIONS and WARNINGS before commencing service or operation of any high-pressure system. The CAUTIONS and WARNINGS are included in each Service Manual and with each Accessory Data sheet. CAUTIONS and WARNINGS can also be viewed online at www.catpumps.com/dynamic-literature/cautions-and-warnings or can be requested directly from Cat Pumps.

WARRANTY

View the Limited Warranty online at www.catpumps.com/literature/cat-pumps-limited-warranty