

DATA SHEET

8400 SERIES DUAL-STRIKE GUN



Standard Models: 8400.060, 8400.120, 8400.160, 8400.170, 8400.200, 8400.300, 8400.400



FEATURES

- Straight stream delivers penetrating stream coupled with fine, cooling mist.
- Fog stream creates excellent foam expansion for maximum coverage.
- Quick conversion from straight stream to fog stream coverage by rotating lance.

SELECTION

Ensure gun matches system flow, pressure, temperature and functional requirements for your application.

INSTALLATION

Plumb the high-pressure discharge hose to the inlet port of the Dual-Strike Gun. Ensure that the high-pressure system has an appropriate primary pressure regulating device (unloader or regulator) to avoid over-pressurization or a pressure spike when the gun is in a closed position. Severe damage can occur without proper system pressure control valves.

OPERATION

Flow through the gun occurs when squeezing the trigger while either nozzle is selected. The Dual-Strike gun features a straight and fog stream setting. To select a nozzle, align line on arrow and barrel, then pull the trigger. To change the nozzle setting, release the trigger, stopping flow, and rotate to other setting.

| SPECIFICATIONS | U.S. Measure | Metric Measure |
|-----------------|--------------|----------------|
| 8400.060 | | |
| Maximum Flow | 3.5 gpm* | 13.25 lpm |
| 8400.120 | | |
| Maximum Flow | 7.0 gpm* | 26.50 lpm |
| 8400.160 | | |
| Maximum Flow | 9.0 gpm* | 34.07 lpm |
| 8400.170 | | |
| Maximum Flow | 10.0 gpm* | 37.85 lpm |
| 8400.200 | | |
| Maximum Flow | 12.3 gpm* | 46.56 lpm |
| 8400.300 | | |
| Maximum Flow | 17.0 gpm* | 64.35 lpm |
| 8400.400 | | |
| Maximum Flow | 21.0 gpm* | 79.49 lpm |

*Flow ratings based on system pressure of 1500 psi (103 bar)

| COMMON SPECIFICATIONS | U.S. | Metric |
|-----------------------|---------------------|-------------------|
| Maximum Pressure | 1500 psi | 103 bar |
| Maximum Temperatures | 140° F | 60° C |
| Inlet Fitting | ¾" NPT(F) | ¾" NPT(F) |
| Weight | 4.8 lbs | 2.17 kg |
| Dimensions | 13.25 x 2.0 x 7.25" | 336 x 51 x 184 mm |

⚠ WARNING Severe injury can occur with high-pressure spray. Do not allow spray to contact any part of body.

PARTS LIST

| ITEM | PN | MATL | DESCRIPTION | MODEL USED | QTY |
|------|--------|------|--------------------------------------|--------------------------|-----|
| 1 | 76659 | AL | Barrel, Dual | All | 1 |
| 2 | 76751 | AL | Handle, Pistol | All | 1 |
| 3 | 33783 | S | Seat | All | 3 |
| 4 | 997561 | SSSS | Ball, (.625") | All | 2 |
| 5 | 32846 | S | Spring, Ball | All | 1 |
| 6 | 76806 | SS | Rod, Actuator | All | 1 |
| 7 | 76804 | BB | Guide, Rod | All | 1 |
| 8 | 76833 | AL | Body, Lower | All | 1 |
| 9 | 76855 | BB | Guide, Spring | All | 1 |
| 10 | 76802 | AL | Body, Upper | All | 1 |
| 11 | 76837 | S | Screw, HSH (1/4" - 20 x .5) | All | 6 |
| 12 | 76661 | AL | Retainer, Seat | All | 1 |
| 13 | 76732 | AL | Tube, Outer | All | 1 |
| 14 | 76699 | PVC | Protector Nozzle | All | 1 |
| 15 | 997563 | S | Fitting, Aspirator | All | 1 |
| 16 | 76703 | S | Coupling, [1/4" NPT(F)] | .060, .160 .300, .400 | 1 |
| | 76705 | S | Reducer Coupling, (1/4" x 1/8") | .120, .170 | 1 |
| 17 | 76702 | S | Nipple, [1/4" NPT(M) x 4] | All | 1 |
| 18 | — | SSSS | Nozzle (See Nozzle Chart) | All | 1 |
| 19 | 76761 | S | Tube, Aspirator | All | 1 |
| 20 | 76694 | STL | Pin, Dowel | All | 2 |
| 21 | 76726 | STCP | Trigger | All | 1 |
| 22 | 76777 | S | Screw, FH (8-32 x .375) | All | 4 |
| 23 | 76697 | S | Screw, HSH (8-32 x 1.00) | All | 6 |
| 24 | 76693 | S | Pin, Trigger | All | 1 |
| 25 | 76776 | S | Screw, Set (1/4" - 20, 3/8") | All | 1 |
| 26 | 76662 | NBR | O-Ring, Barrel | All | 1 |
| 27 | 76778 | S | Pin, Stop Gun | All | 1 |
| 28 | — | BB | Nozzle, Aspirator (See Nozzle Chart) | All | 1 |
| 29 | 76773 | NBR | O-Ring, Rod-70D | All | 1 |
| 30 | 76774 | NBR | O-Ring, Body-90D | All | 2 |
| 31 | 34173 | NBR | O-Ring, Body | All | 1 |
| 32 | 43278 | NBR | O-Ring, Body | All | 1 |
| 33 | 33564 | NBR | O-Ring, Seat-90D | All | 3 |
| 34 | 76696 | SS | Spring, Trigger | All | 1 |
| 35 | 992601 | BB | Reducer Bushing, (3/8" x 1/8") | .060 | 1 |
| | 34211 | BB | Reducer Bushing, (3/8" x 1/4") | .120, .170 | 1 |

MATERIAL CODES (Not Part Of Part Number)

AL=Aluminum, BB=Brass NBR=Medium Nitrile (Buna-N) PVC=Polyvinyl Chloride
S=304SS SS=316SS SSSS=440SS, STCP=Steel Chrome Plated STL=Steel

TROUBLESHOOTING

| | |
|---|---|
| Liquid leaking from discharge of gun | <ul style="list-style-type: none"> Foreign material lodged between ball and seat. Clean and examine parts for any damage. Replace as needed. Ball or seat pitted or worn. Replace as needed. |
| Liquid leaking from trigger area | <ul style="list-style-type: none"> Examine O-ring on actuator rod and replace as needed. |
| Liquid leaking from rear of gun or plug | <ul style="list-style-type: none"> Reapply Loctite® 242® to the plug. |
| Loss of pressure | <ul style="list-style-type: none"> Check for foreign material lodged in nozzle. If nozzle is worn, replace as needed. |

Loctite and 242 are registered trademarks of the Henkel Corporation.

CAUTIONS AND WARNINGS

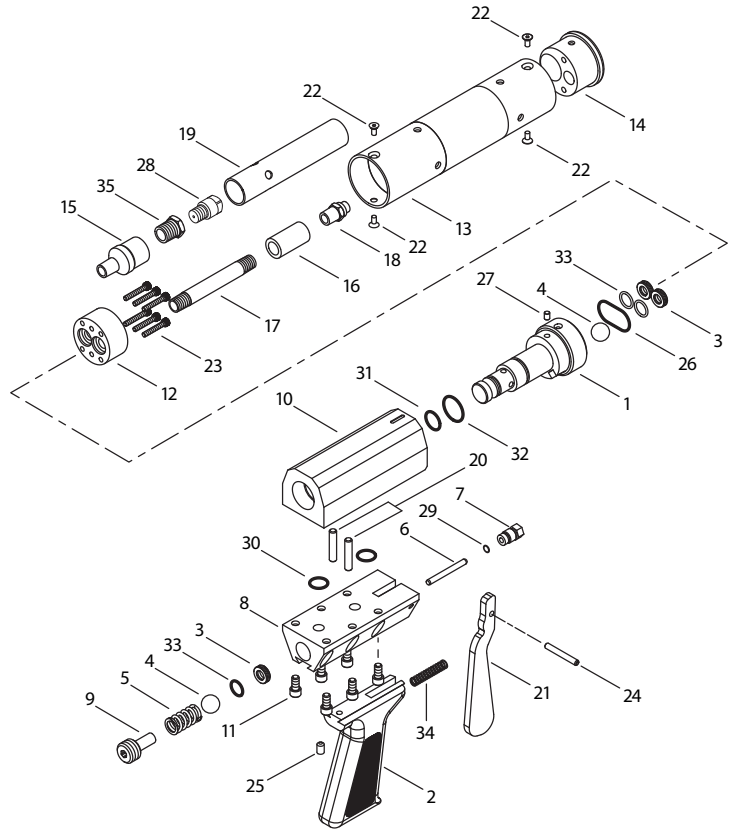
All high-pressure systems require a primary pressure regulating device (i.e. regulator, unloader) and a secondary pressure relief device (i.e. pop-off valve, relief valve). Failure to install such relief devices could result in personal injury or damage to pump or property. Cat Pumps does not assume any liability or responsibility for the operation of a customer's high-pressure system.

Read all CAUTIONS and WARNINGS before commencing service or operation of any high-pressure system. The CAUTIONS and WARNINGS are included in each Service Manual and with each Accessory Data sheet. CAUTIONS and WARNINGS can also be viewed online at www.catpumps.com/dynamic-literature/cautions-and-warnings or can be requested directly from Cat Pumps.

WARRANTY

View the Limited Warranty online at www.catpumps.com/literature/cat-pumps-limited-warranty

EXPLODED VIEW



NOZZLE CHART

| ITEM | PART NO. | DESCRIPTION | MODEL USED | QTY |
|------|------------|-------------------------------|------------|-----|
| 18 | 76326 | Nozzle (#6, 1/4") | 8400.060 | 1 |
| 18 | 711200.8 | Nozzle (#12, 1/8") | 8400.120 | 1 |
| 18 | 711600.4 | Nozzle (#16, 1/4") | 8400.160 | 1 |
| 18 | 711507.8 | Nozzle (#17, 1/8") | 8400.170 | 1 |
| 18 | 722000.4 | Nozzle (#20, 1/4") | 8400.200 | 1 |
| 18 | 723000.4 | Nozzle (#30, 1/4") | 8400.300 | 1 |
| 18 | 724000.4 | Nozzle (#40, 1/4") | 8400.400 | 1 |
| 28 | 998620.020 | Nozzle, Aspirator (#6, 1/8") | 8400.060 | 1 |
| 28 | 998640.120 | Nozzle, Aspirator (#12, 1/4") | 8400.120 | 1 |
| 28 | 998650.160 | Nozzle, Aspirator (#16, 3/8") | 8400.160 | 1 |
| 28 | 998640.170 | Nozzle, Aspirator (#17, 1/4") | 8400.170 | 1 |
| 28 | 998660.200 | Nozzle, Aspirator (#20, 3/8") | 8400.200 | 1 |
| 28 | 998650.300 | Nozzle, Aspirator (#30, 3/8") | 8400.300 | 1 |
| 28 | 998650.400 | Nozzle, Aspirator (#40, 3/8") | 8400.400 | 1 |