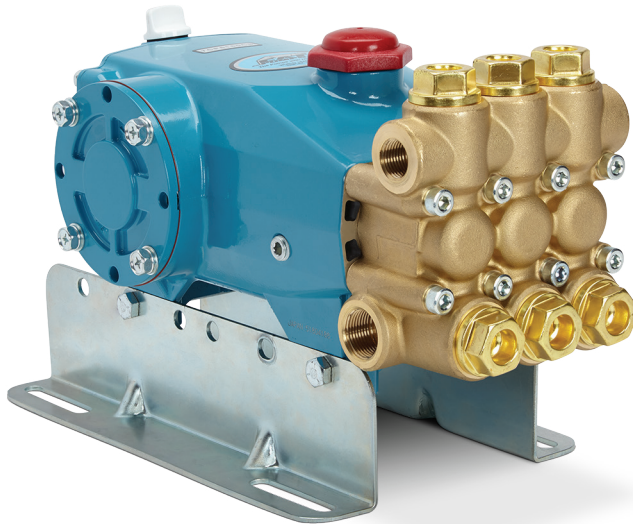


# MODEL 7CP6185CS PLUNGER PUMP



30.4 LPM | 241 BAR

## Designed for the Most Demanding High-Pressure Applications

Cat Pumps are the #1 choice for high-pressure applications when quality counts. Don't fall into the price trap by choosing a less expensive pump upfront that will cost more in the long run. Get more work done without the hassles and downtime — choose Cat Pumps.

Building on over 50 years of experience, research and pump development, Cat Pumps engineers have updated our 7CP Series pumps to meet demanding mobile trailer pressure washing needs. Meticulously-designed internal components like solid ceramic plungers, higher-quality seals, and machined stainless steel valves and seats keep pumps running longer. The drive-end uses matched connecting rods and oversized bearings to provide many hours of trouble-free service.

The 7CP6185CS is what you expect from Cat Pumps — high-quality, dependable products backed by the industry's best customer service and support.

### Features

- V-packings and low-pressure seals are completely lubricated and cooled, greatly increasing pump life
- Flexible drive options
  - Electric motor
    - › Belt with standard pulley or clutch
    - › Direct-drive with bell housing and flex coupler
  - Petrol or diesel engine
    - › Belt with standard pulley or clutch
    - › Gearbox for 1" or 1 1/8" engine shafts
  - Hydraulic motor
    - › Direct-drive with bell housing and flex coupler

### Typical Applications:

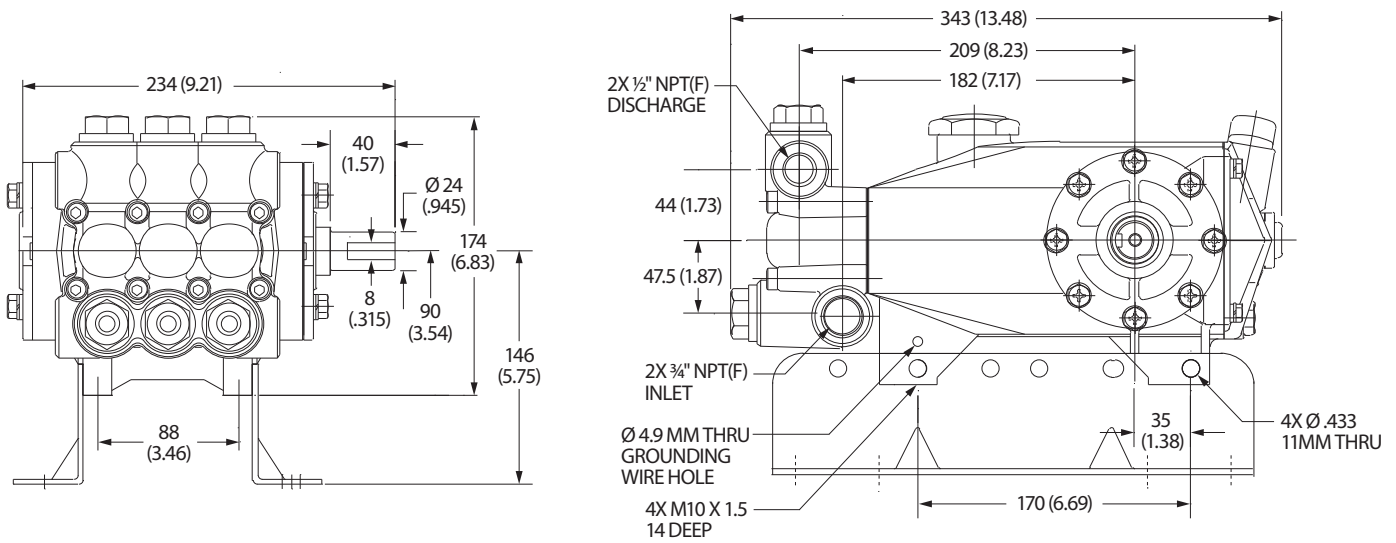
- Mobile Pressure Wash
- Surface Preparation
- Water Jetting
- Hydro Excavation
- Wash Down

## Specifications

	METRIC MEASURE	US MEASURE
Flow	30.4 lpm	8.0 gpm
Pressure	241 bar	3500 psi
Pump RPM*	1320 rpm	1320 rpm
Inlet Pressure Range	Flooded to 4.8 bar	Flooded to 70 psi
Max Liquid Temperature	60° C	140° F
Inlet Ports (2)	¾" NPT(F)	¾" NPT(F)
Discharge Ports (2)	½" NPT(F)	½" NPT(F)
Weight	14 kg	30.8 lbs
Dimensions	343 x 234 x 174 mm	13.48 x 9.21 x 6.83"

\*Pump minimum is 100 RPM.

## Dimensions



## Popular Accessories



**Unloader**  
**PN 7542**  
 3.8–80 lpm  
 (1–21 gpm)  
 28–280 bar  
 (406–4060 psi)



**Pop-Off Valve**  
**PN 9940**  
 0–95 lpm  
 (0–25 gpm)  
 69–275 bar  
 (1000–4000 psi)



**Pressure Gauge**  
**PN 6089**  
 0–413 bar  
 (0–6000 psi)



**Thermal Valve**  
**PN 7142**  
 95 lpm Max  
 (25 gpm Max)  
 63° C  
 (145° F)



**Oil**  
**PN 6132**  
 1 litre (33.8 oz.) Bottles  
 Specially Formulated for  
 Extended Protection

Contact Cat Pumps for more information at [sales@catpumps.co.uk](mailto:sales@catpumps.co.uk) or +44 (0)1252 622031.



**CAT PUMPS (U.K.) LTD.**  
 1 FLEET BUSINESS PARK, SANDY LANE, CHURCH CROOKHAM  
 FLEET, HAMPSHIRE GU52 8BF, ENGLAND  
 P: +44 (0)1252 622031  
[sales@catpumps.co.uk](mailto:sales@catpumps.co.uk) | [www.catpumps.co.uk](http://www.catpumps.co.uk)

For International inquiries go to [www.catpumps.co.uk](http://www.catpumps.co.uk) and navigate to the "Contact Us" link.

©2023 Cat Pumps Inc. All rights reserved. All written and visual data contained in this document are based on the latest product information available at the time of publication. Cat Pumps reserves the right to make changes at any time without notice. All other brand names or marks are used for identification purposes and are trademarks of their respective owners.