

# MODEL 3560 PLUNGER PUMP



20 GPM | 4,000 PSI  
25 GPM | 3,000 PSI (Alternate)

## Maximize Uptime with Cat Pumps

Cat Pumps model 3560 is the industry standard for high-pressure/mid-to-high flow applications. Its dependable performance keeps equipment running to meet production requirements and tight schedules. Given its durability, the model 3560 is widely used in various mobile and industrial applications, such as hydro excavating, jetting, hydro blasting, central cleaning, equipment washdown, and many more.

Cat Pumps engineers have optimized every detail to produce a dependable pump with excellent service life. Concentric, high-density polished solid plungers provide a true wear surface and ensure long seal life. The drive end uses matched connecting rods and oversized bearings to provide long, trouble-free service.

The 3560 is what you expect from Cat Pumps—high-quality, dependable products backed by the industry's best customer service and support.

### Features:

- The crankcase crosshead area is concentric with 360° plunger rod support and features a drilled-through oil port to lubricate the front side of the crosshead area, resulting in long life and reliable drive-end performance.
- Two-coat electrostatic applied primer and epoxy paint finish provide a more durable finish than anodizing for better appearance and durability in outdoor environments.
- Flexible drive options:
  - Belt-drive to engine or motor
  - Direct-drive to hydraulic motor

### Typical Applications:

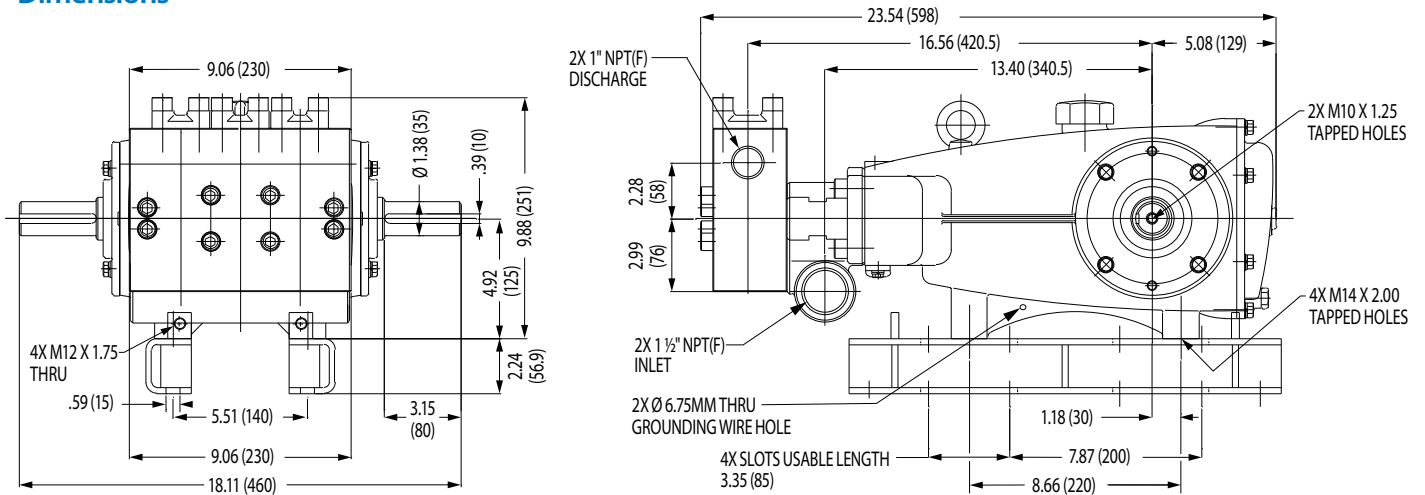
- Hydro Excavating
- Water Jetting
- Surface Preparation
- Central Cleaning Systems
- Equipment Washdown
- High-Flow/Pressure Flushing
- Multi-Gun Systems

## Specifications

	US MEASURE	METRIC MEASURE
<b>Flow</b>	20 gpm	76 lpm
<b>Pressure</b>	4000 psi	275 bar
<b>RPM</b>	1160 rpm	1160 rpm
<b>Flow (Alternate)</b>	25 gpm	95 lpm
<b>Pressure (Alternate)</b>	3000 psi	207 bar
<b>RPM (Alternate)</b>	1450 rpm	1450 rpm

	US MEASURE	METRIC MEASURE
<b>Inlet Pressure Range</b>	Flooded to 70 psi	Flooded to 4.8 bar
<b>Max Liquid Temp</b>	160° F	71° C
<b>Inlet Ports (2)</b>	1½" NPT(F)	1½" NPT(F)
<b>Discharge Ports (2)</b>	1" NPT(F)	1" NPT(F)
<b>Weight</b>	142 lbs	64.4 kg
<b>Dimensions</b>	23.54 x 18.11 x 9.88"	598 x 460 x 251 mm

## Dimensions



## Popular Accessories



**Unloader**  
PN 7593  
10 – 52 gpm  
750 – 4050 psi



**Pop-Off Valve**  
PN 9940  
0 – 25 gpm  
1000 – 4000 psi



**Pressure Gauge**  
PN 6089  
0 – 6000 psi



**Thermal Valve**  
PN 7108.8  
60 gpm Max  
1½" NPT(F)



**Bell Housing**  
PN 76SAEC.35FR  
2 or 4 Bolt SAE C  
Hydraulic Motors

Contact Cat Pumps for more information at [info@catpumps.com](mailto:info@catpumps.com) or (763) 780-5440



### CAT PUMPS

1681 – 94TH LANE N.E. MINNEAPOLIS, MN 55449-4324  
PHONE (763) 780-5440 — FAX (763) 780-2958  
[info@catpumps.com](mailto:info@catpumps.com) | [www.catpumps.com](http://www.catpumps.com)