

MODEL 5SP SERIES DIRECT-DRIVE PUMPS



5SP30ELU

3 GPM | 3,000 PSI

5SP35ELU

3.5 GPM | 2,500 PSI

5SP40ELU

4 GPM | 2,000 PSI



Compact Direct-Drive Pumps

When it comes to getting the job done, customers rely on durable long-lasting products from Cat Pumps and the 5SP is no exception. Designed for continuous duty applications, the 5SP series pumps are built to keep equipment operating with long, dependable service.

Available Configurations:

PART NUMBER EXAMPLE: **5SP**[xx]**EL**[x][x]

5SP	[xxx]	E	L	[x]	[x]	[x]
Base 5SP Model	30 = 3.0 gpm	E = 182/184TC Mount	L = 1750 rpm Maximum	R = Regulator	I = Injector	F = Garden Hose Inlet Fitting
	35 = 3.5 gpm			U = Unloader		
	40 = 4.0 gpm					

Features:

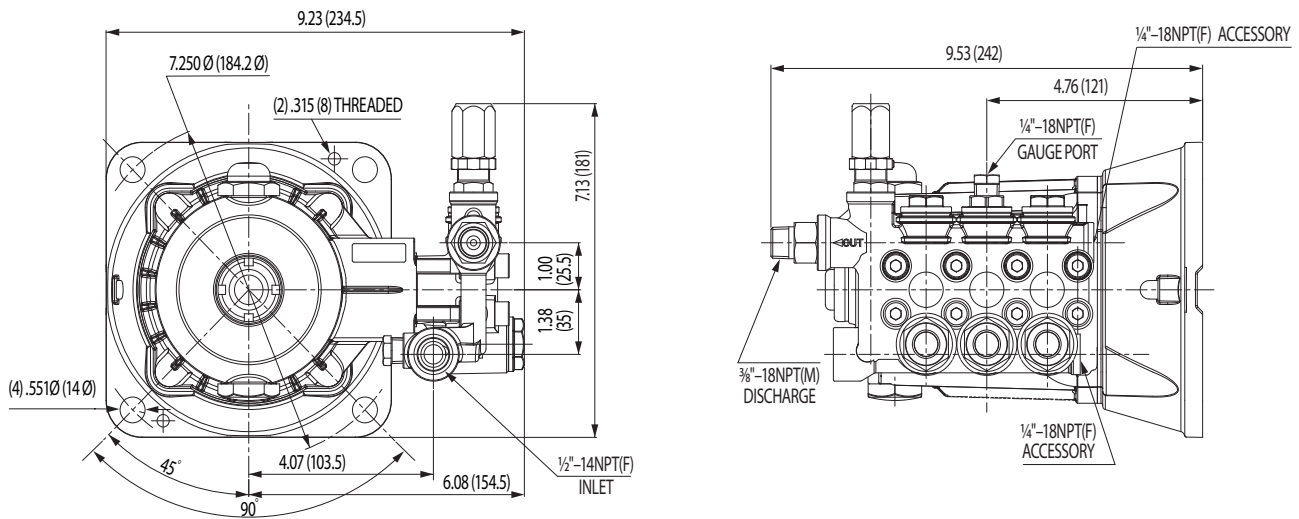
- Ease of assembly reduces time and labor costs.
- Compact direct mounting minimizes space requirement.
- Integral pressure control valve with built-in bypass provides maximum uptime and ease-of-service with standard tools.
- Multiple ports allow for a variety of accessories.
- Available as pump only or as pump and motor assembly.

Typical Applications:

- Pressure Cleaning
- Wash-Down Systems
- Hydrostatic Testing
- Restroom Service Trucks
- Odor Control

	5SP30ELU	5SP35ELU	5SP40ELU
Flow	3 gpm	3.5 gpm	4 gpm
Pressure	3000 psi	2500 psi	2000 psi
RPM	1750 rpm	1750 rpm	1750 rpm
Inlet Pressure Range	Flooded to 60 psi	Flooded to 60 psi	Flooded to 60 psi
Max Liquid Temperature	140° F	140° F	140° F
Inlet Port	½" NPT(F)	½" NPT(F)	½" NPT(F)
Discharge Port	¾" NPT(M)	¾" NPT(M)	¾" NPT(M)
Accessory Ports (Discharge [2], Inlet [1])	¼" NPT(F)	¼" NPT(F)	¼" NPT(F)
Weight	13.2 lbs	13.2 lbs	13.2 lbs
Dimensions	9.53 x 9.53 x 7.13"	9.53 x 9.53 x 7.13"	9.53 x 9.53 x 7.13"

Dimensions



Popular Accessories



Pop-Off Valve

PN 33962
Up to 6 gpm
Up to 4,000 psi



Thermal Valve

PN 7143
¼" NPT(M)
165° F



Pressure Gauge

PN 6089
0–6,000 psi



Inlet Strainer

PN 7104.4
½" NPT(F)
10 gpm Max



Oil

PN 6107
21 oz. Bottle
Specially formulated
for extended protection.

Contact Cat Pumps for more information at info@catpumps.com or (763) 780-5440



CAT PUMPS

1681 – 94TH LANE N.E. MINNEAPOLIS, MN 55449-4324
PHONE (763) 780-5440 — FAX (763) 780-2958
info@catpumps.com | www.catpumps.com